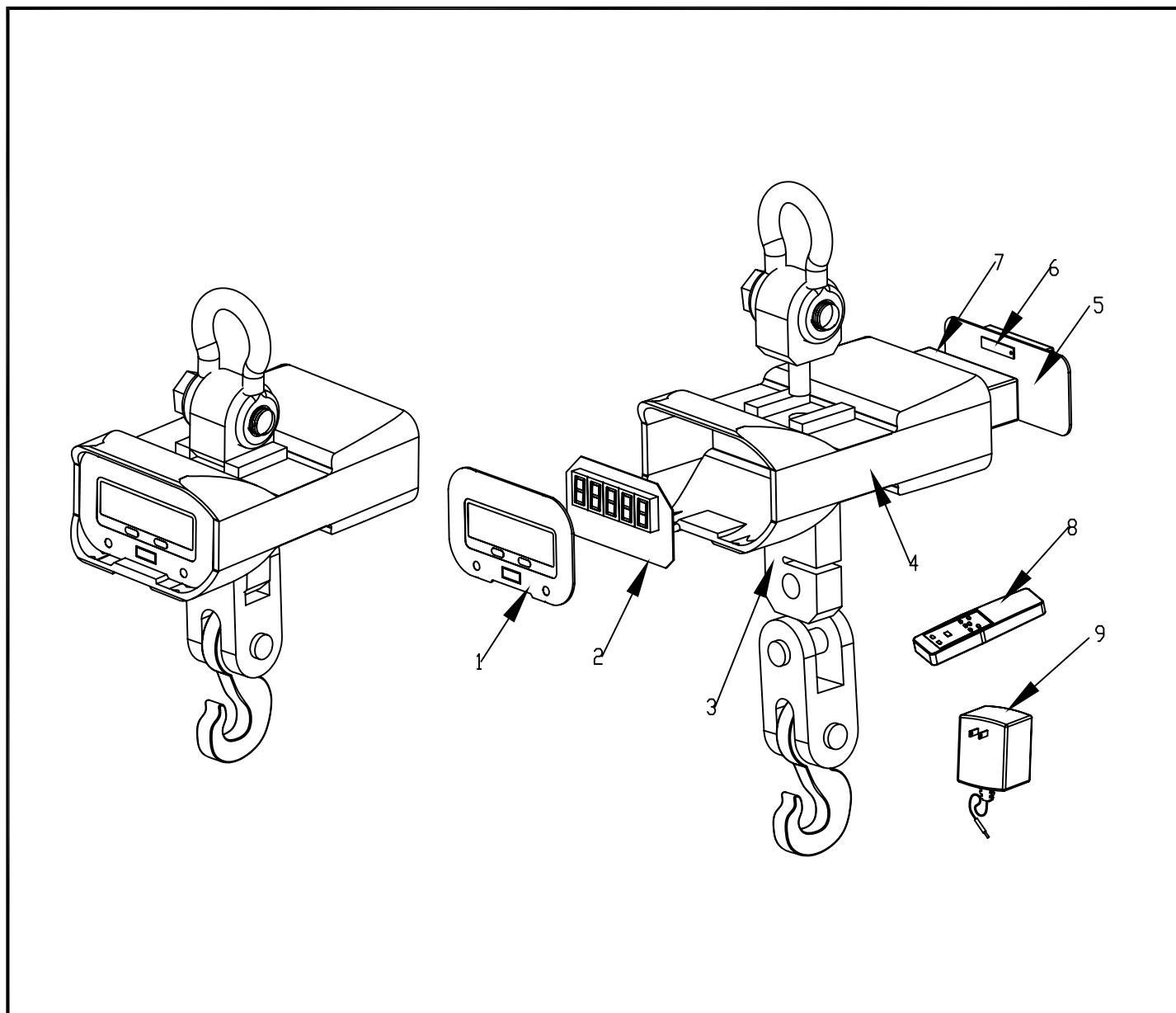




A PARTIR DE LA SERIE: H04-00101



| No. | DESCRIPCION | CODIGO | CANTIDAD | I.S./100 |
|---------------------|------------------------------------|----------|----------|----------|
| 1 | VISOR FRONTAL CRS 5T | 20200089 | 1 | 1 |
| 2 | TARJETA ELECTRONICA MAESTRA CRS | 20300109 | 1 | 1 |
| 3 | CELDA CARGA TC-A 5T (7.5t YZ101-D) | 20100121 | 1 | 1 |
| 4 | GABINETE CRS 5-10-15T | 22900050 | 1 | 1 |
| 5 | TAPA POSTERIOR CRS 5-10-15T | 22900051 | 1 | 1 |
| 6 | TARJETA ELECTRONICA BATERIA CRS | 20300110 | 1 | 1 |
| 7 | BATERIA RECARGABLE 6V/10Ah | 21900512 | 1 | 2 |
| 8 | CONTROL REMOTO CRS | 21900513 | 1 | 1 |
| 9 | ELIM. BAT. 9V MODELO Z5729090102U | 21900514 | 1 | 2 |
| PARA MODELO CRS-10T | | | | |
| 1 | VISOR FRONTAL CRS 10T | 20200090 | 1 | 1 |
| 3 | CELDA CARGA TC-A 10T (15t YZ101-C) | 20100122 | 1 | 1 |
| PARA MODELO CRS-15T | | | | |
| 1 | VISOR FRONTAL CRS 15T | 20200091 | 1 | 1 |
| 3 | CELDA CARGA TC-A 15T (20t YZ101) | 20100123 | 1 | 1 |